



Engineering Bulletin

ChillerSource™ Temporary Cooling – Voyager™ III

Scope

This bulletin covers the specification for each Voyager available for rent, so you can meet your customer's temporary cooling needs.

25-Ton Voyager No Heat	Page 2
25-Ton Voyager with Heat Option	Page 3
35-Ton Voyager with Heat Option	Page 4
50-Ton Voyager with Heat Option	Page 6

General Information

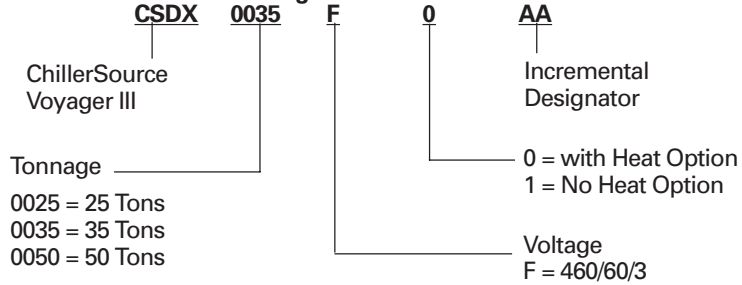
The following information should be used as a quick reference to aid in determining certain limitations such as size, available power, options or lifting requirements for each of the ChillerSource Voyager units. If specific information regarding a particular unit is required, the data sales catalog and installation and operation manual should be consulted.

Please contact ChillerSource Marketing for availability of all equipment prior to obtaining a Purchase Order.

All equipment should be installed per the National Electric Code (NEC) and/or applicable local codes.



The following shows the
ChillerSource™ Voyager™ III model number
designations



ChillerSource Voyager III rental unit, no heat, 25-ton

General-CSDX0025F1 __

Model Number	TCH300B4	Discharge Configuration	Horizontal
Nominal tons	25 tons	Flex Duct Conn. Size	19" (round)
Refrigerant	R-22	Number of Supply Conn.	2
Refrigerant Charge/Circuit	17 lbs/17 lbs	Number of Return Conn.	2
Ambient Operating Range	0° - 115°F	Number electrical circuits	1
Supply Motor	7.5 HP	Max Static Discharge Pressure	1.5" S.P.
Supply Fan RPM	3,470	CFM Min/Max	7,000/11,000
Fused Disconnect	Yes	Insurance Value	\$21,833

Electrical Data

Voltage	460V 3Ø
Frequency	60 Hz
MCA	56A
Min Generator Size	60kW
MOP	70A
RLA	50.22A

For additional electrical information, see the RT-PRC002-EN Data Sales Catalog.

Options:

- 120Volt / 15A Convenience Outlet
- TCI
- Clogged Filter Switch Kit
- Fan Failure Switch
- Generic Input/Output Module

Dimensions and Weights

Length	13'-0"
Width	8'-6"
Height	6'-10"
Weight	3200 lbs

Lifting Device: Forklift, Crane

ChillerSource™ Voyager™ III rental unit with optional heat, 25-ton

General-CSDX0025F0 _ _ _

Model Number	TCH300B4	Discharge Configuration	Horizontal
Nominal tons	25 tons	Flex Duct Conn. Size	19" (round)
Refrigerant	R-22	Number of Supply Conn.	2
Refrigerant Charge/Circuit	17 lbs/17 lbs	Number of Return Conn.	2
Ambient Operating Range	0° - 115°F	Number electrical circuits	1
Supply Motor	7.5 HP	Max Discharge Static Pressure	1.5" S.P.
Supply Fan RPM	3,470	CFM Min/Max	7,000/11,000
Fused Disconnect	Yes	Insurance Value	\$21,833

Electrical Data

Voltage	460V 3Ø	
Frequency	60 Hz	
Electric Heater KW	54 kW (Two Stages - 36 kW / 18 kW)	
	Heating	Cooling
MCA	95A	56A
Min Generator Size	100 kW	60 kW
RLA	76A	52A
MOP (Max Fuse Size)	100A	70A

For additional electrical information, see the RT-PRC002-EN Data Sales Catalog.

Options:

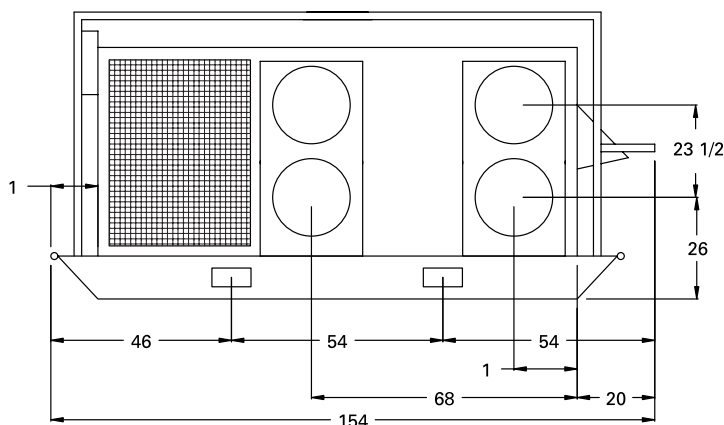
- 120 Volt/15A Conv Outlet
- TCI
- Clogged Filter Switch Kit
- Fan Failure Switch
- Generic Input/Output Module
- Electric Heat

Dimensions and Weights

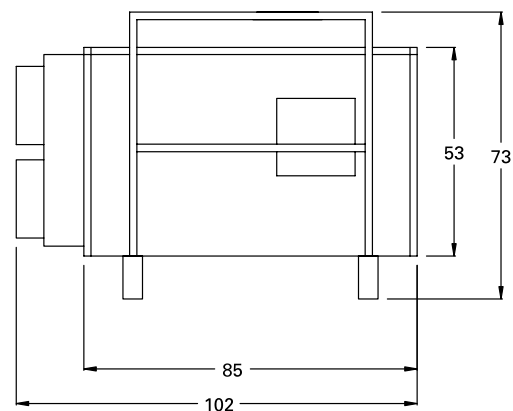
Length	13'-0"
Width	8'-6"
Height	6'-10"
Weight	3200 lbs

Lifting Device: Forklift, Crane

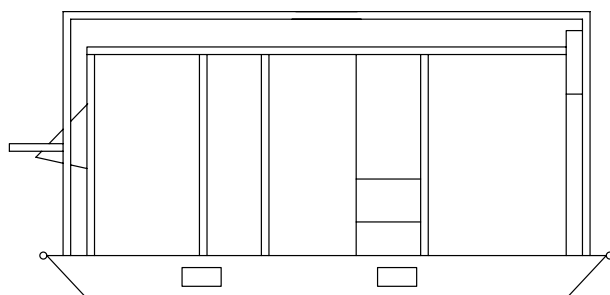
ChillerSource Voyager III rental unit, 25-ton Model TCH300B4



Side View



Front View



Side View (Opposite)



ChillerSource™ Voyager™ III rental unit with optional heat, 35-ton

General-CSDX0035_____

Model Number	TEH420	Discharge Configuration	Horizontal
Nominal tons	35 tons	Flex Duct Conn. Size	19" (round)
Refrigerant	R-22	Number of Supply Conn.	2
Refrigerant Charge	51.5 lbs.	Number of Return Conn.	2
Ambient Operating Range	0° - 115°F	Number electrical circuits	1
Supply Motor	15 Hp	Max Discharge Static Pressure	2.25" S.P.
Supply Fan RPM	790	CFM Min/Max	11,200/16,800
Circuit Breaker	Yes	Insurance Value	\$30,567

Electrical Data

Voltage	460V 3Ø		
Frequency	60 Hz		
Electric Heater kW	90 kW		
	Heating	Cooling	Cooling W/ Heat
MCA	130.8A	89.9A	171A
Min Generator Size	100 kW	60 kW	150 kW
RLA	126.3A	83.1A	148A
MOP (Max CB)	148.8A	117.2A	182A

For additional electrical information, see the RT-DS-9 Data Sales Catalog.

Dimensions and Weights

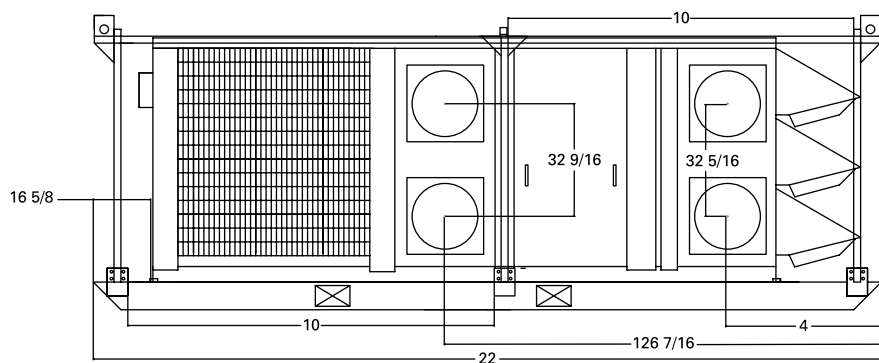
Length	19'-0"
Width	7'-9"
Height	5'-11"
Weight	6000 lbs

Lifting Device: Forklift, Crane

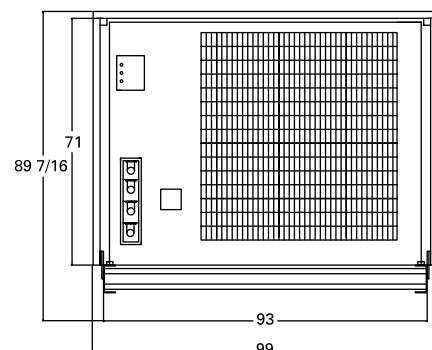
Options:

- 0-100% Economizer
- Condenser Coil Guards
- VAV with VFD with Bypass
- Service Valves
- Fac Pwr'd GFCI Conv Outlet w/ Disc
- Hinged Service Access
- Electric Heat
- Stainless Steel Drain Pan
- Epoxy Coated Condenser Coil
- Remote Room Sensor
- TCI
- Clogged Filter Switch Kit
- Hot Gas Bypass

ChillerSource™ Voyager™ III rental unit with optional heat, 35-ton Model TECH420

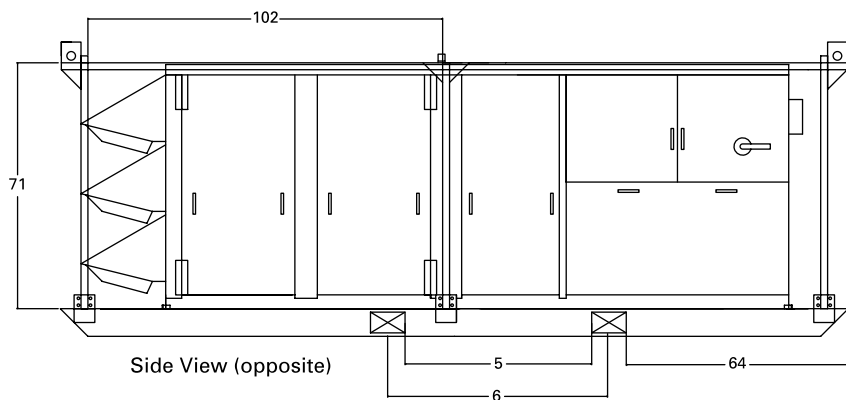


Side View



Front View

Notes
All dimensions are in inches



Side View (opposite)



ChillerSource™ Voyager™ III rental unit with optional heat, 50-ton

General-CSDX0050 _____

Model Number	TEH600	Discharge Configuration	Horizontal
Nominal tons	50 tons	Flex Duct Conn. Size	19" (round)
Refrigerant	R-22	Number of Supply Conn.	3
Refrigerant Charge/Circuit	23.9/49.5 lbs.	Number of Return Conn.	2
Ambient Operating Range	0° - 115°F	Number electrical circuits	1
Supply Motor	20 Hp	Max Discharge Static Pressure	2.50" S.P.
Supply Fan RPM	725	CFM Min/Max	16,000/24,000
Circuit Breaker	Yes	Insurance Value	\$38,841

Electrical Data

Voltage	460V 3Ø
Frequency	60 Hz
Electric Heater kW	108 kW

	Heating	Cooling	Cooling W/ Heat
MCA	161.8A	128.2A	237A
Min Generator Size	150 kW	100 kW	200 kW
RLA	155.4A	121.4A	208.4A
MOP	187.3A	155.5A	242.5A

For additional electrical information, see the RT-DS-9 Data Sales Catalog.

Dimensions and Weights

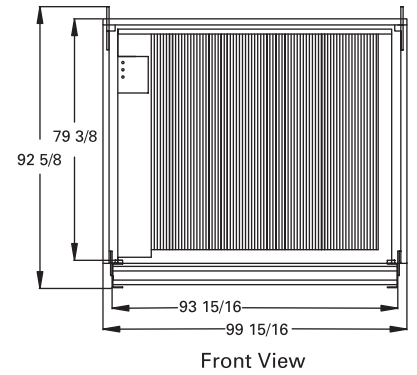
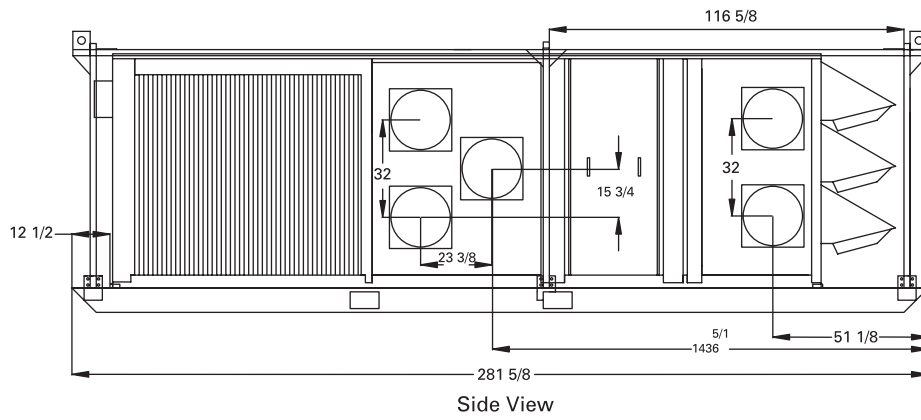
Length	23'-5"
Width	8'-4"
Height	7'-8"
Weight	7300 lbs

Lifting Device: Forklift, Crane

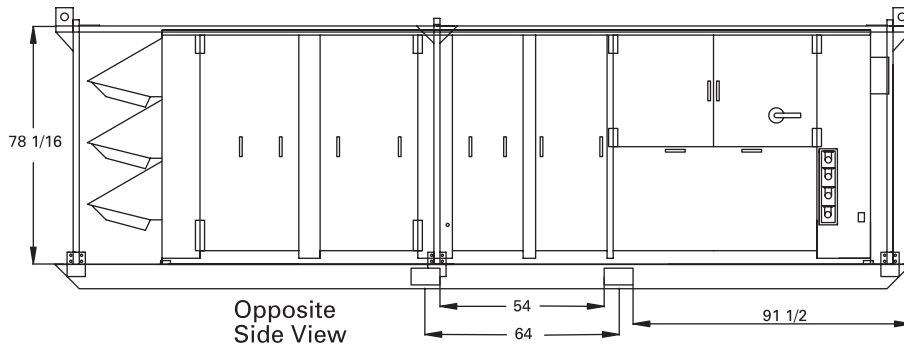
Options:

- 0-100% Economizer
- Condenser Coil Guards
- VAV with VFD w/ Bypass
- Service Valves
- Fac Pwr'd GFCI Conv Outlet w/ Disc
- Hinged Service Access
- Electric Heat
- Stainless Steel Drain Pan
- Epoxy Coated Condenser Coil
- Remote Room Sensor
- TCI
- Clogged Filter Switch Kit
- Hot Gas Bypass

ChillerSource™ Voyager™ III rental unit with optional heat, 50-ton Model TEH600



Note
All dimensions are in inches





TRANE[®]

Trane
An American Standard Company
www.trane.com

*For more information contact
your local district office or
e-mail us at comfort@trane.com*

Literature Order Number	CHS-PRB001-EN
File Number	PL-RF-CHS-000-PRB001-EN-0202
Supersedes	CHS-PRB001-EN 0601
Stocking Location	La Crosse

Since Trane has a policy of continuous product and product data improvement, it reserves the right to change design and specifications without notice.